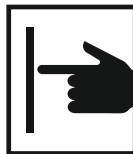
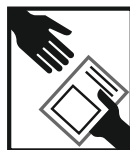
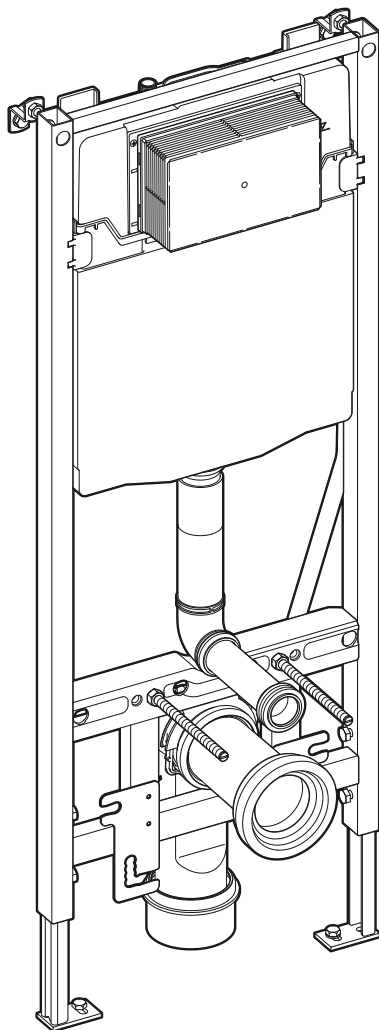
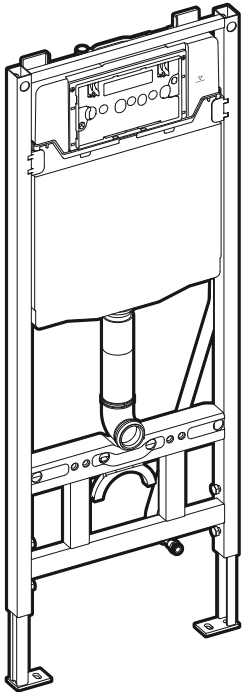
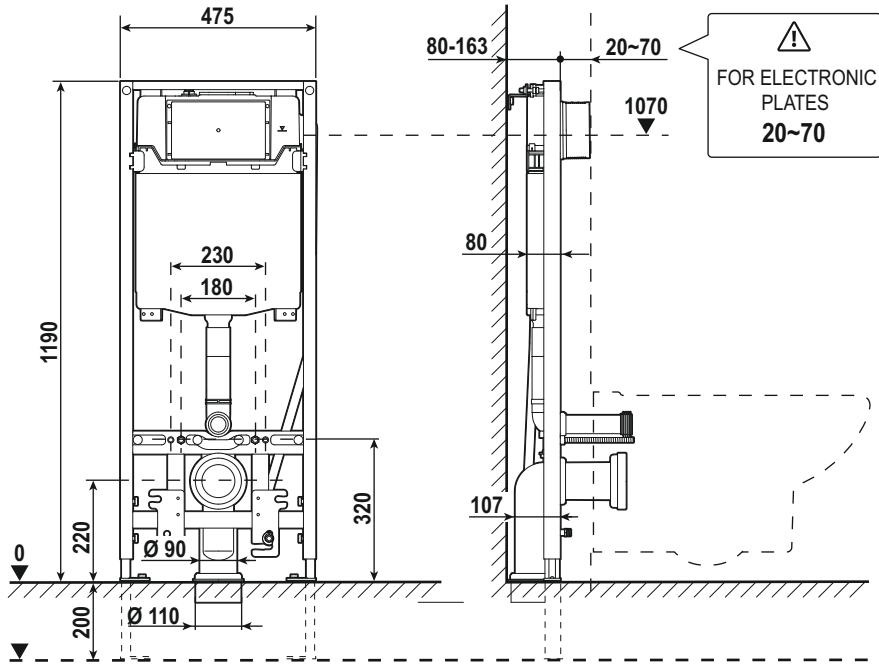


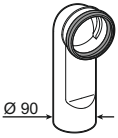
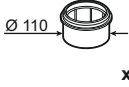




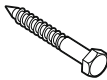







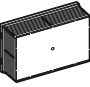
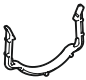








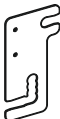

gala



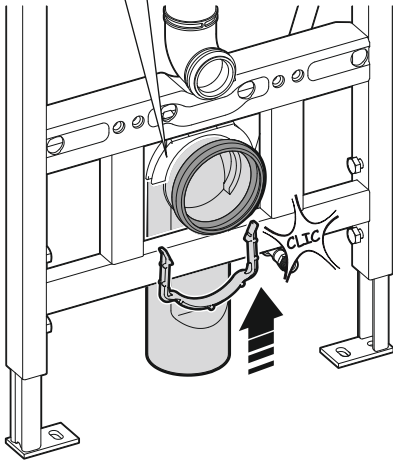
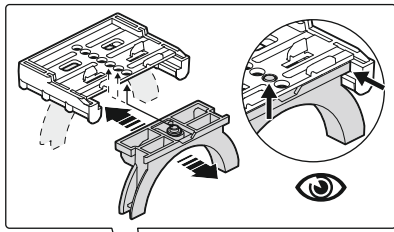
G5548400



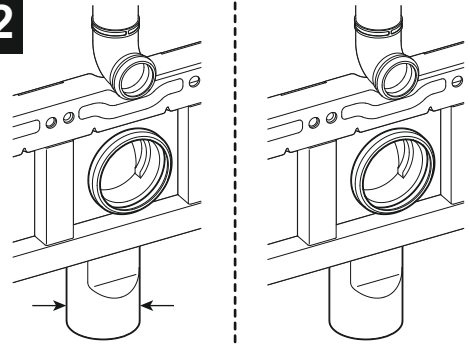


 x1	 x1	 x1	 x1
 x1	 x1	 x4	 x4
 x4	 x2	 x6	 x2
 x1	 x1	 x1	 x1
 x2	 x2	 x4	 x2
 x4	 x2	 x1	 x4
 x2	 x1		

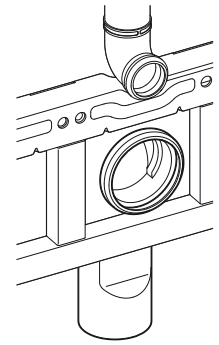
1



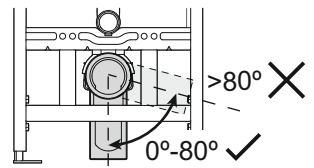
2



Ø 90



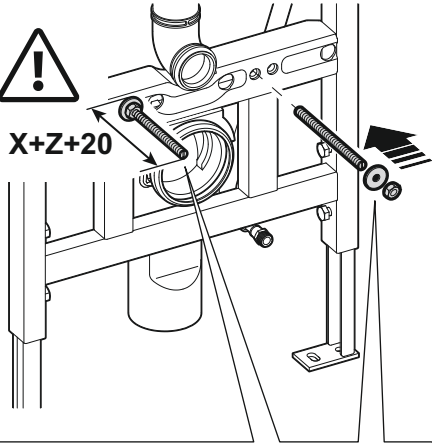
Ø 110



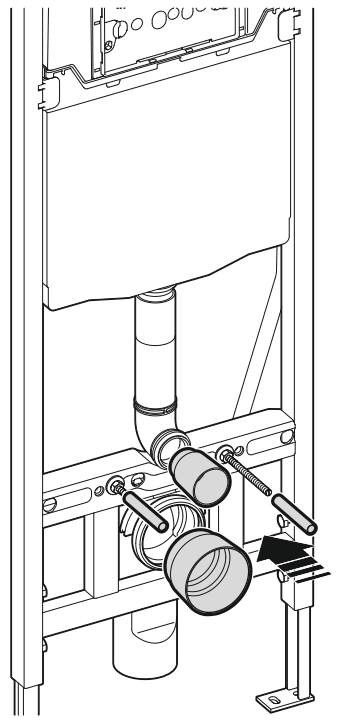
3



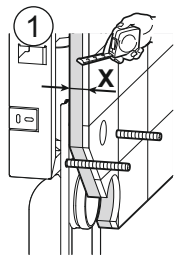
X+Z+20



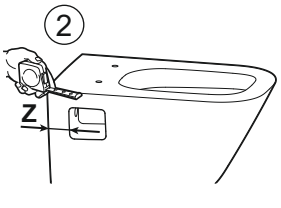
4



1

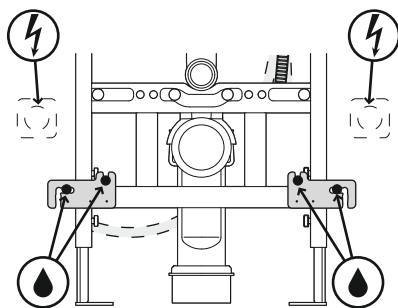
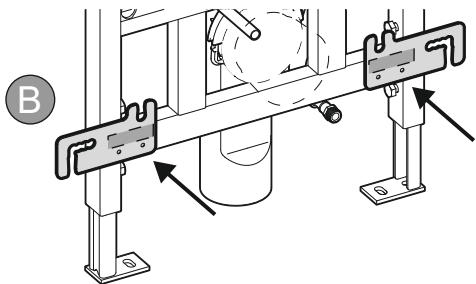
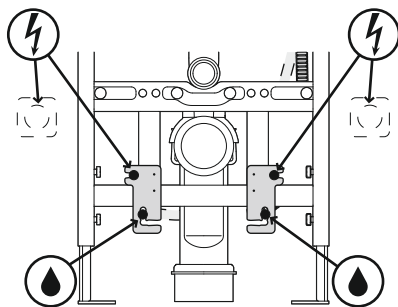
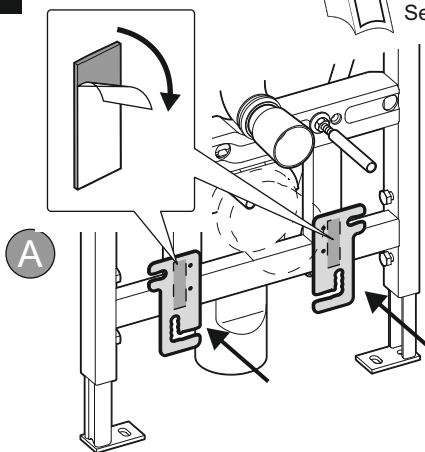
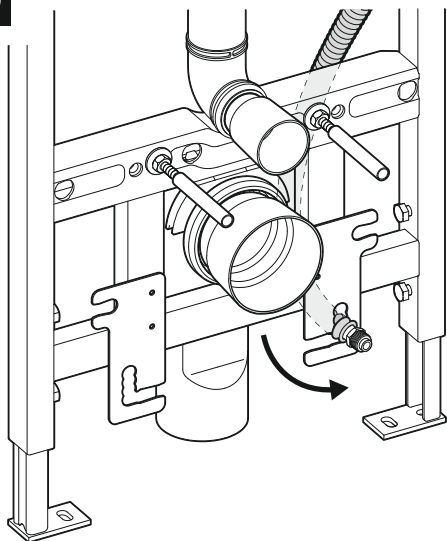
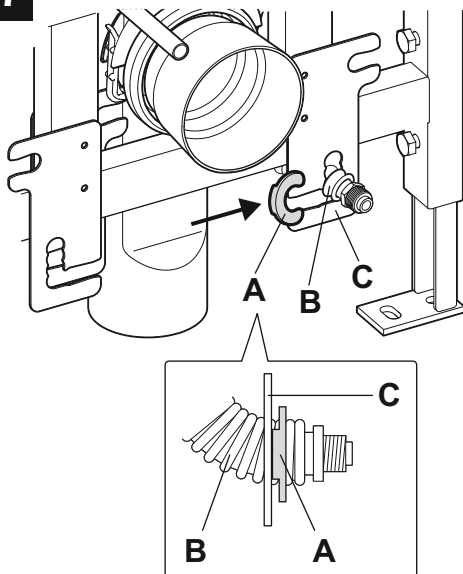


2



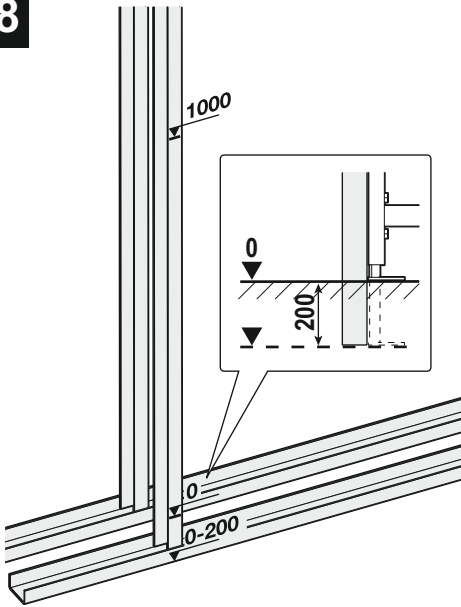
5

Ver manual instalación IN-WASH
See IN-WASH installation manual

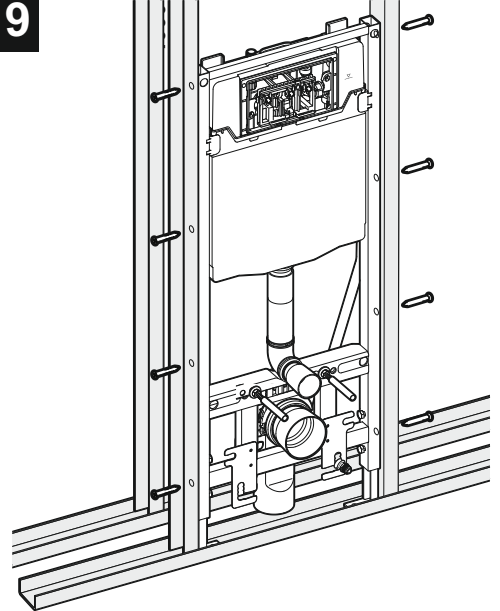
**6****7**



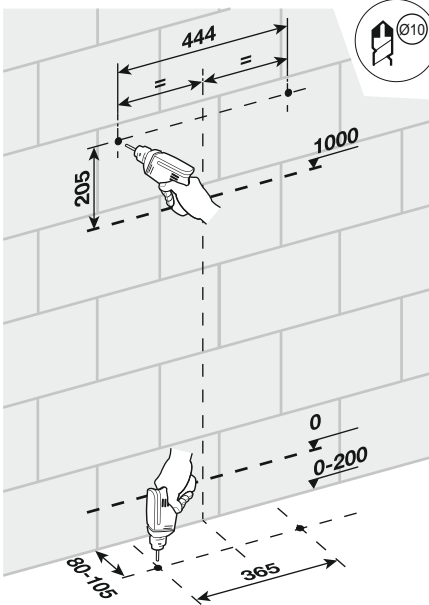
8



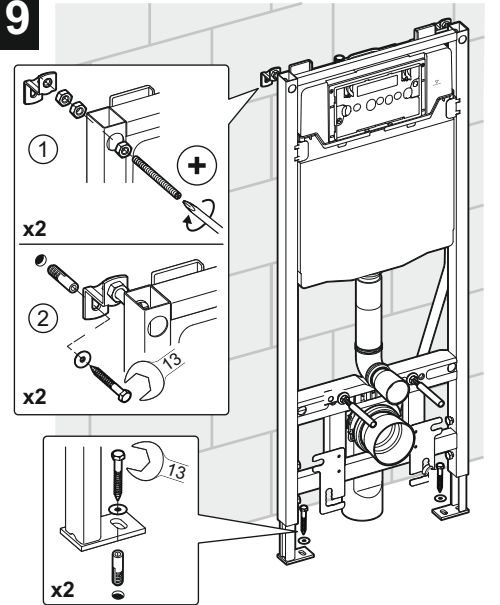
9



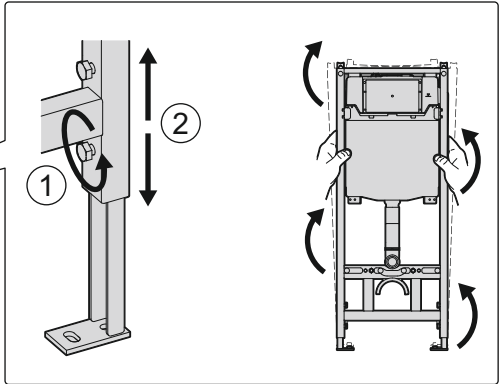
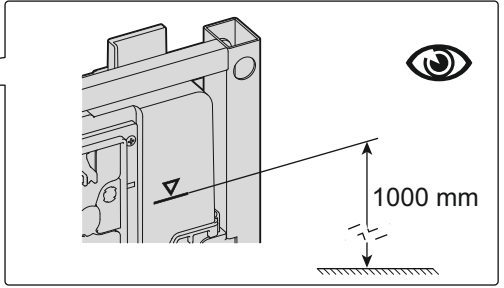
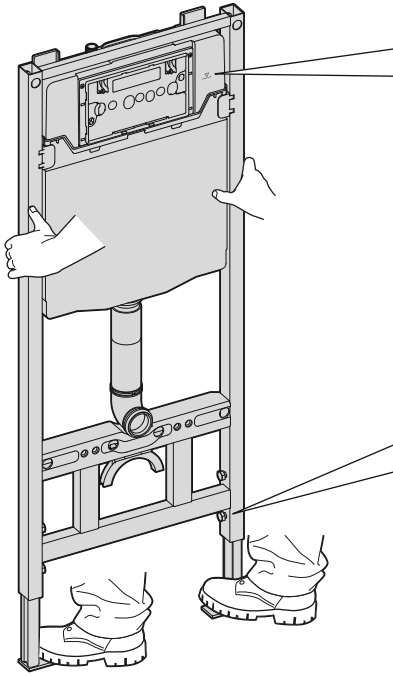
8



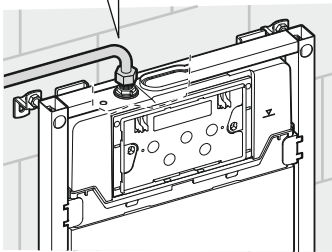
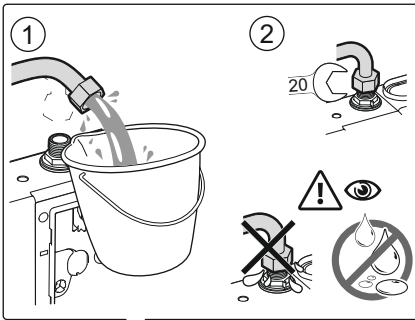
9



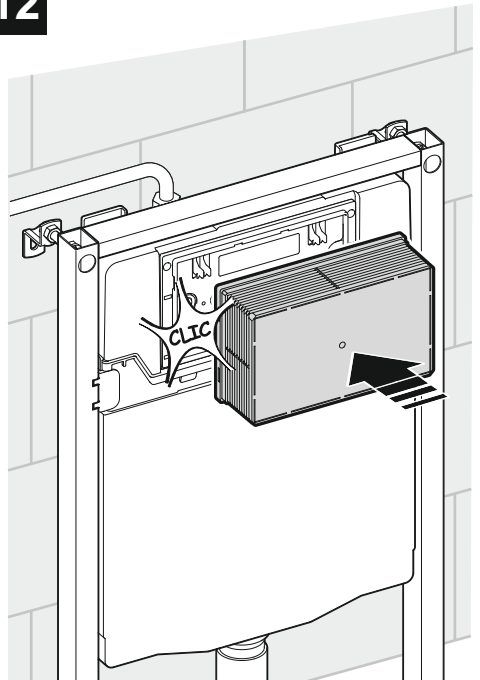
10



11



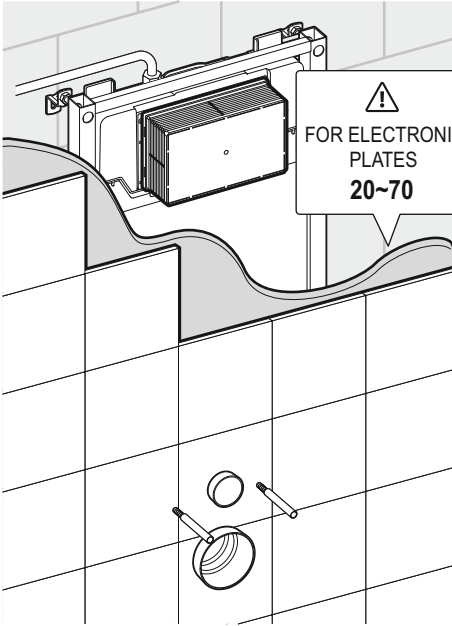
12



P bar

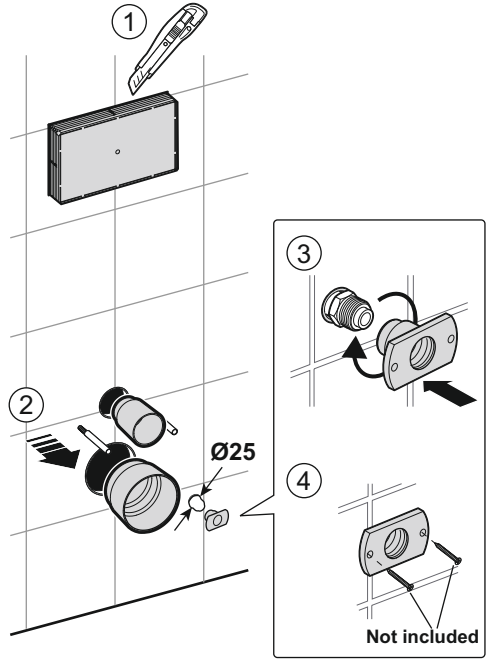


13



⚠
FOR ELECTRONIC
PLATES
20~70

14



1

2

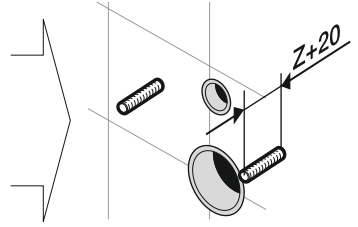
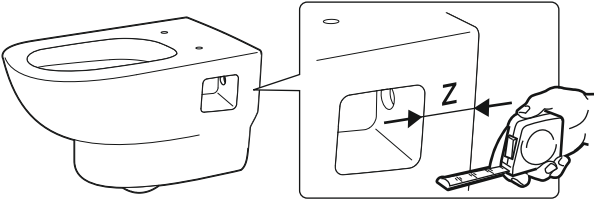
3

4

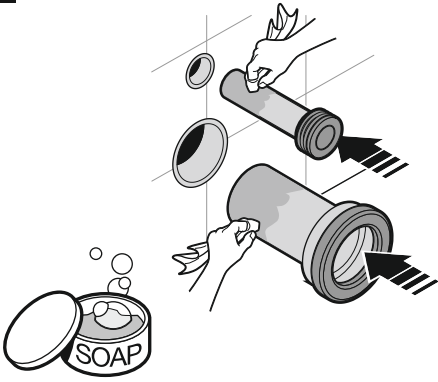
Ø25

Not included

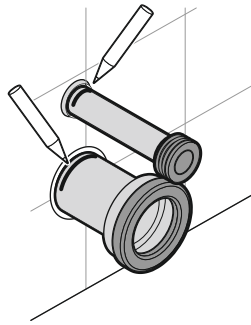
1



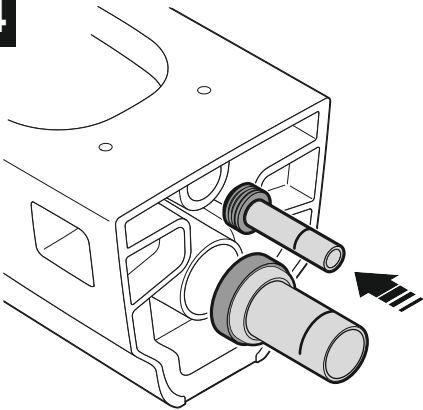
2



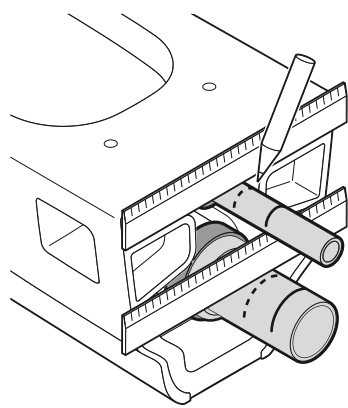
3



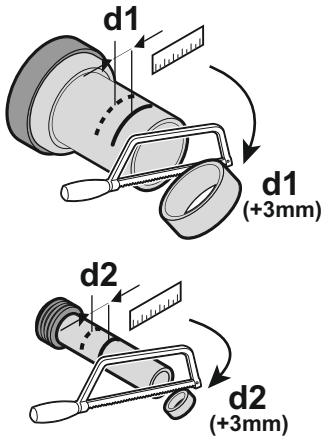
4



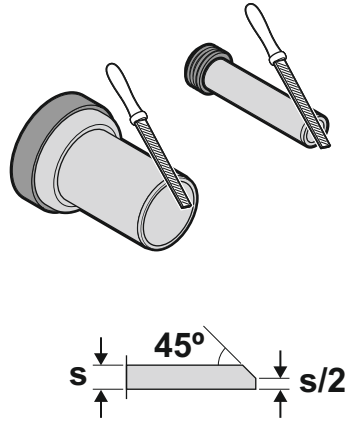
5



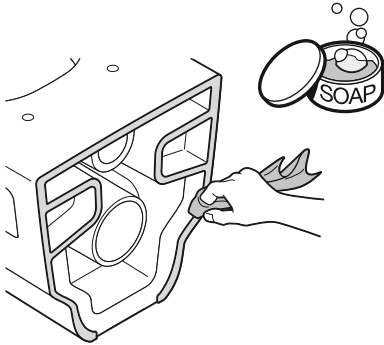
6



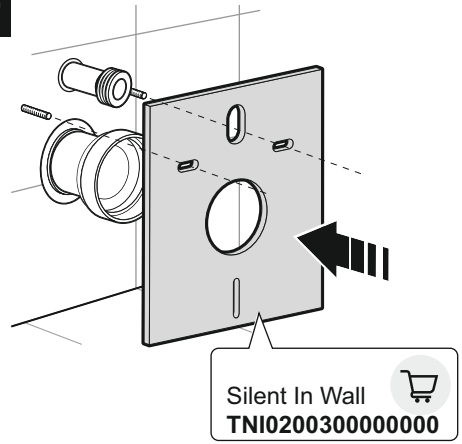
7



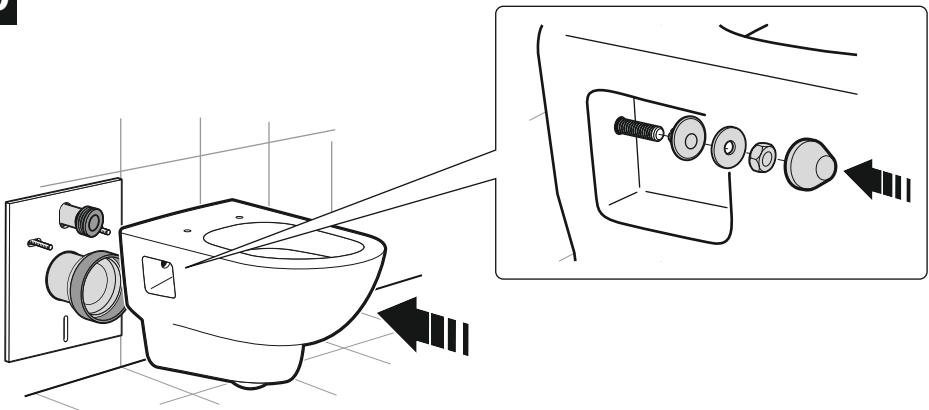
8



9

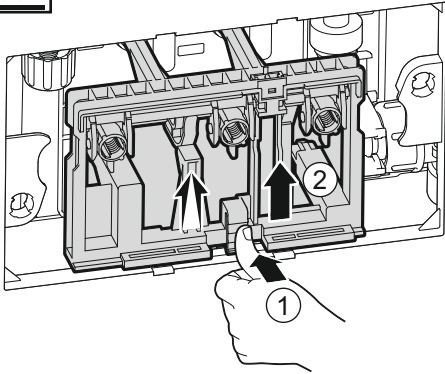


10

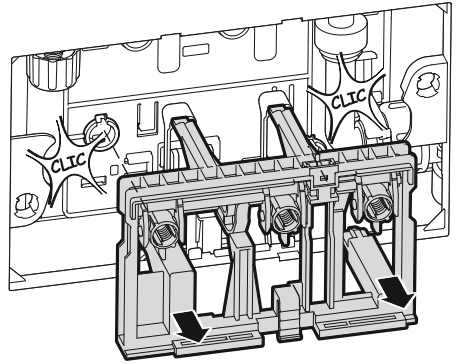




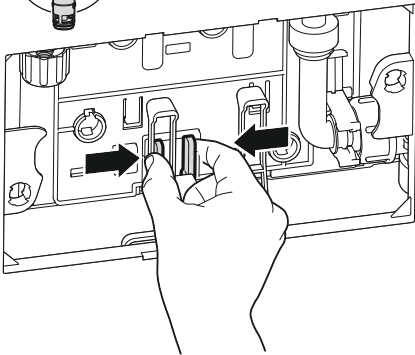
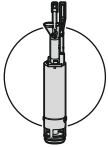
1



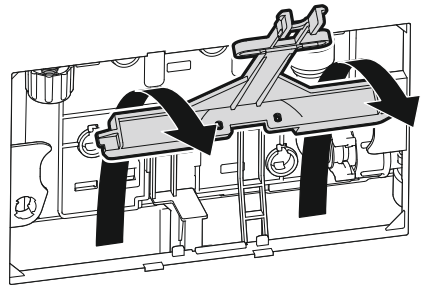
2



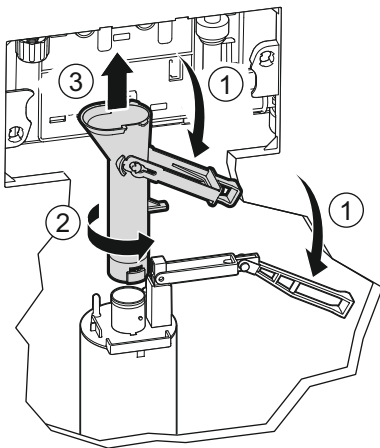
3



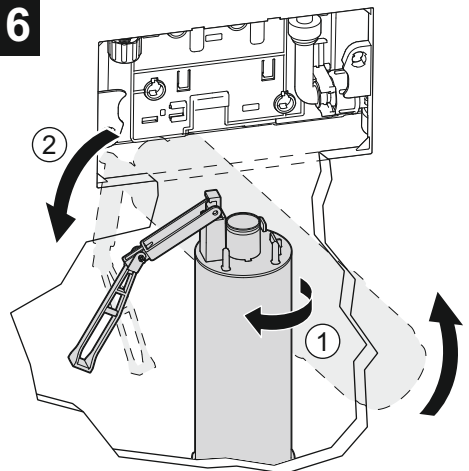
4



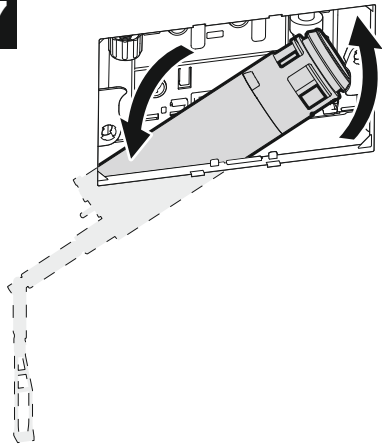
5



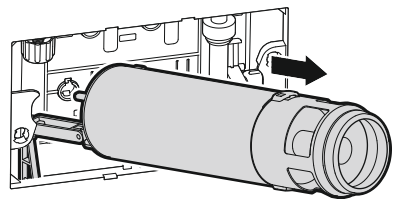
6



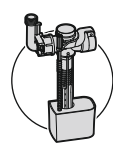
7



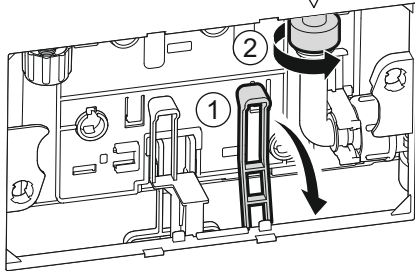
8



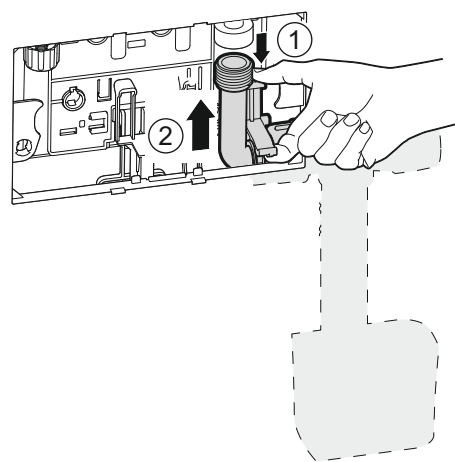
1



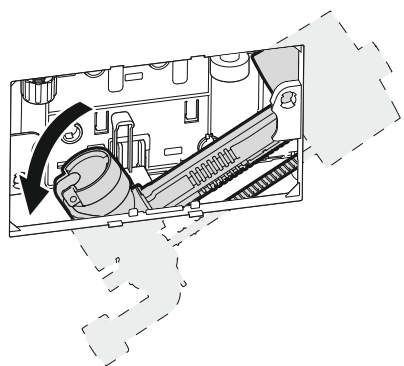
⚠ DO NOT USE A WRENCH



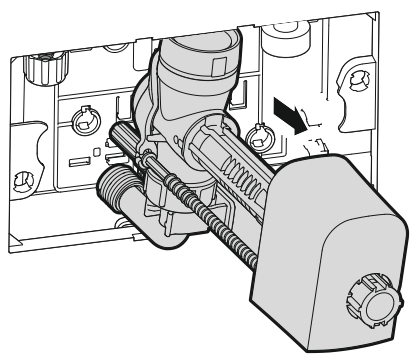
2

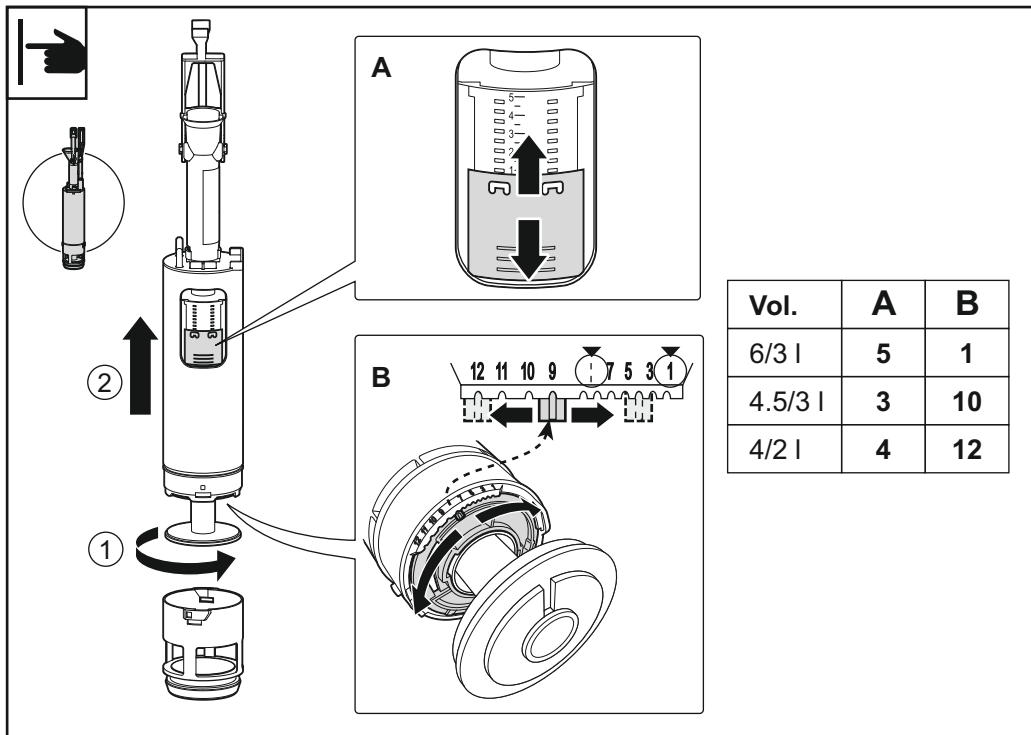


3

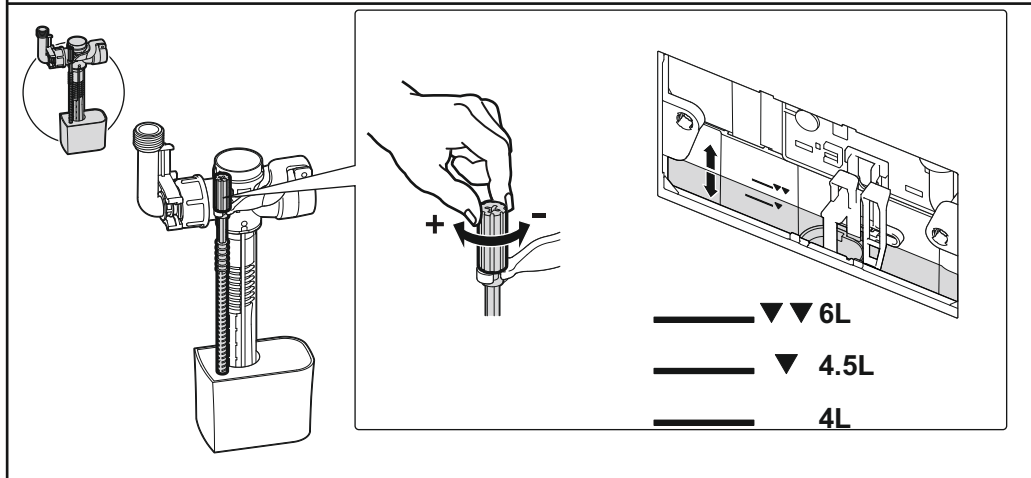


4





Vol.	A	B
6/3 l	5	1
4.5/3 l	3	10
4/2 l	4	12



Warranty

Frame and tank 10 years.

Components 2 years.

Cerámicas Gala, S.A.

Ctra. Madrid - Irún, Km. 244 -
Teléf. 947 474 100



Apartado de Correos, 293 - 09080 BURGOS - ESPAÑA
Fax. 947 474 103

E_mail: general@gala.es

www.gala.es

Las medidas e información son a título orientativo y susceptibles de modificación sin previo aviso. Este documento anula los anteriores.
All information and sizes should be considered merely approximate and are subject to modification without notice. This document cancels the former ones.
Les cotes et informations sont à titre indicatif et peuvent subir des modifications sans avis préalable. Le document annule les précédents.